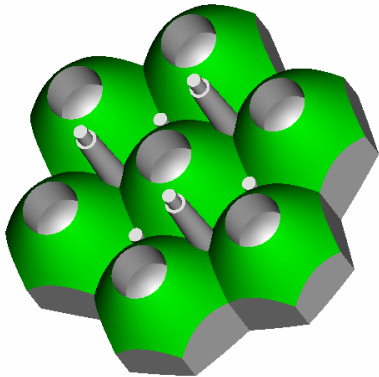


Our Focus is in Plastics

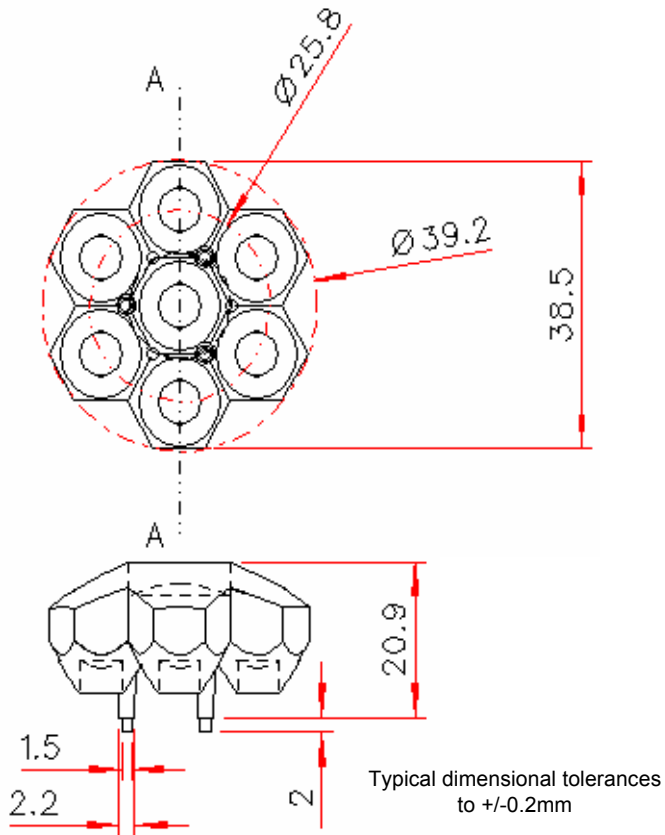
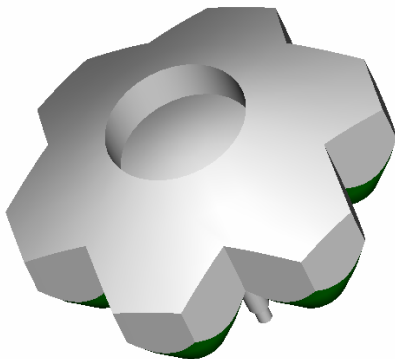
Polymer Optics Ltd.

6 Kiln Ride, Wokingham,
Berks., RG40 3JL, England
Tel/Fax: +44 (0) 1189 893341
www.polymer-optics.co.uk

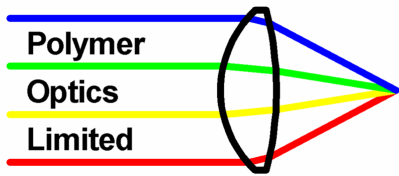
7 Cell Cluster Concentrator Optic - Part No. 140



- Designed for Seoul Semiconductor Z Power P3 and P4 Emitters
- High light collection efficiency of >85%
- Precision moulded in optical grade Polycarbonate for thermal stability and system durability
- Part of the Polymer Optics “Modular LED Optics”® range



Polymer Optics “Modular LED Optics”® design, based on a hexagonal format, allows maximum packing density and assembly flexibility

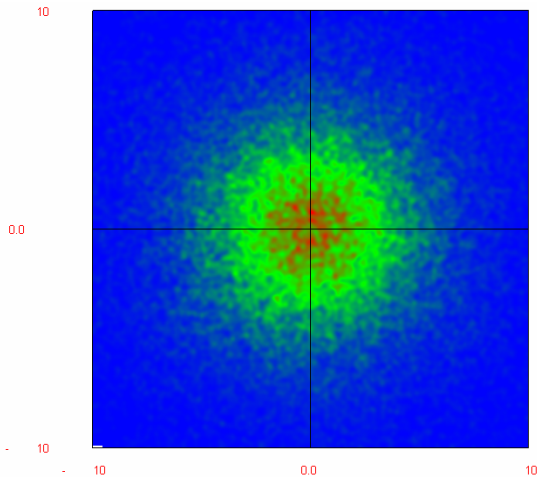
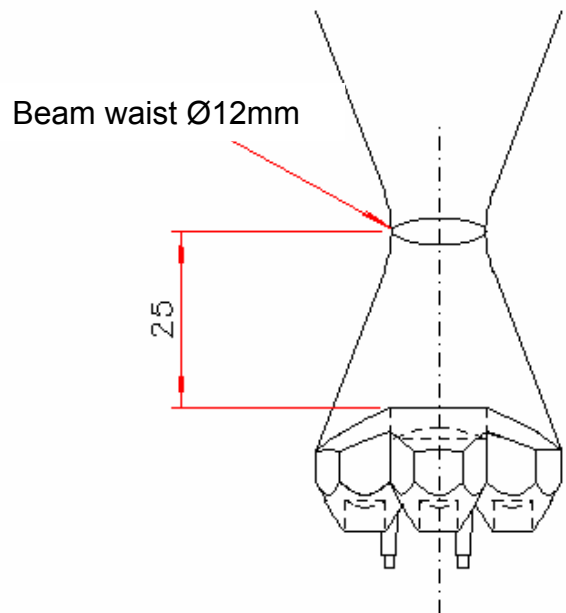


Our Focus is in Plastics

Polymer Optics Ltd.

6 Kiln Ride, Wokingham,
Berks., RG40 3JL, England
Tel/Fax: +44 (0) 1189 893341
www.polymer-optics.co.uk

7 Cell Cluster Concentrator Optic - Part No. 140



Raytrace Simulation of Typical Beam at 25mm on a 20mm x 20mm target with 7x1W 25lumen White LED's

Typical Applications:

- Beam insertion into optical fibre bundles
- Beam insertion into edge of lightguides
- High intensity illumination of small objects for inspection and microscopy

Typical focused beam intensity at the 12mm aperture is **>3,000,000 lux**

Performance values given are typical values and will vary dependant on LED binning, colour and drive profile