



Our Focus is in Plastics

Polymer Optics Ltd.

6 Kiln Ride, Wokingham,
Berks., RG40 3JL, England
Tel/Fax: +44 (0) 1189 893341
www.polymer-optics.co.uk

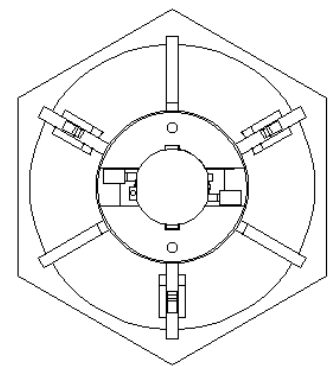
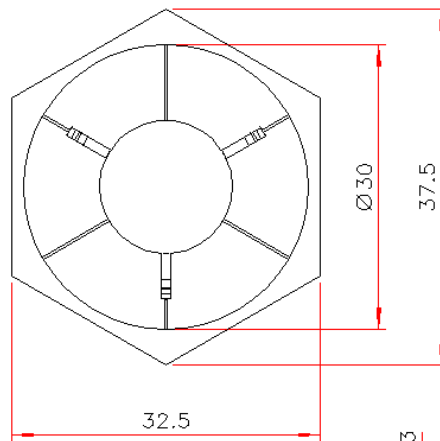
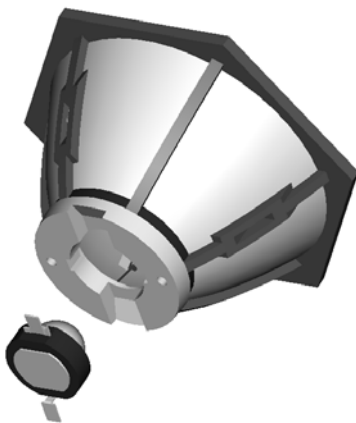
30mm 2.5 Deg Reflector Collimator for Edison “Edixeon” LEDs - Part No. 203



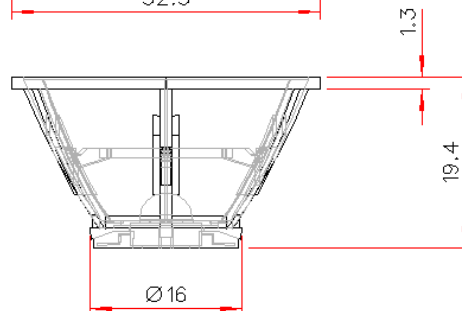
- Designed for Edison “Edixeon” LEDs
- High light collection efficiency of >85%
- Precision moulded using POL’s patent applied for metallised optical insert moulding technique with a polycarbonate frame construction for superior mechanical and thermal stability
- Also available for other LUXEON® LED package types
- Part of the Polymer Optics “Modular LED Optics”® range

Polymer Optics “Modular LED Optics”® design, based on a hexagonal format, allows maximum packing density and assembly flexibility. Arrays of single colour or colour mixed cells can be easily constructed

The 203 Reflector Optic base is designed to push fit over the standard Edison “Edixeon” LED package to align to the LED source



ORIENTATION OF BASE TO LED PACKAGE



Typical dimensional tolerances to +/-0.2mm



Our Focus is in Plastics

Polymer Optics Ltd.

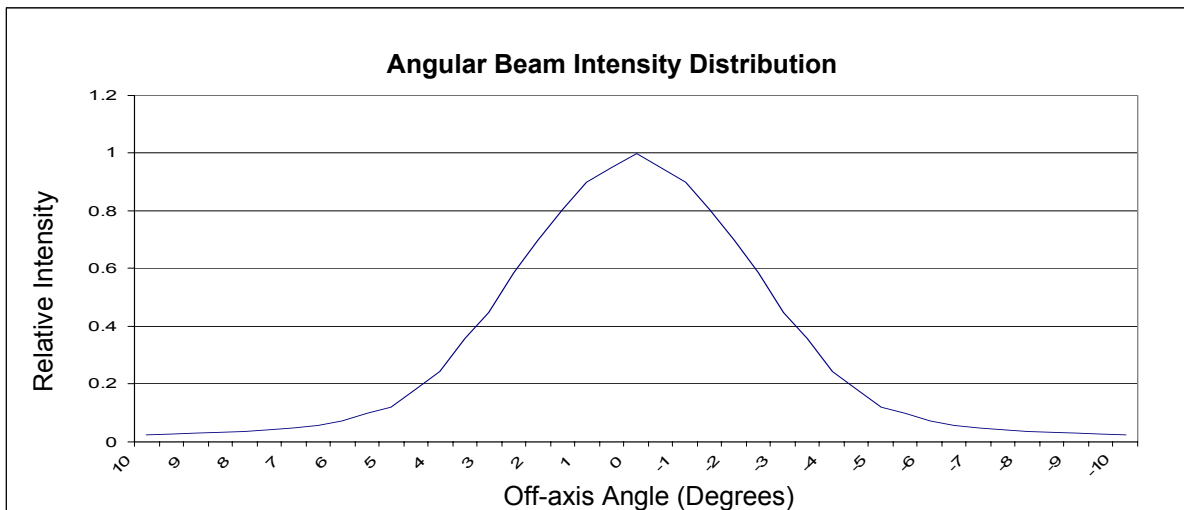
6 Kiln Ride, Wokingham,
Berks., RG40 3JL, England
Tel/Fax: +44 (0) 1189 893341
www.polymer-optics.co.uk

30mm 2.5 Deg Reflector Collimator for Edison “Edixeon” LEDs - Part No. 203



The POL 203 optic’s narrow, high intensity beam is ideal for demanding applications, such as:

- ✓ Mining and caving lamps
- ✓ Under water lamps and torches
- ✓ Architectural spot lights (single colour and RGB arrays)
- ✓ Theatrical lights and follow-spots (single colour and RGB arrays)
- ✓ High performance torches
- ✓ High level flood lights
- ✓ Street lights
- ✓ Medical lighting applications



Typical illuminance values using 100 lumen Edison “Edixeon” LED = 41 cd/lumen			
Range	0.5m	1m	2m
Illuminance	16400 lux	4100 lux	1025 lux

Performance values given are typical values and will vary dependant on LED binning, colour and drive profile