



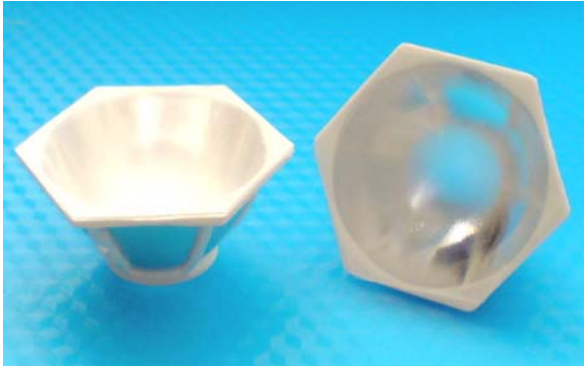
Polymer  
Optics  
Limited

*Our Focus is in Plastics*

**Polymer Optics Ltd.**

6 Kiln Ride, Wokingham,  
Berks., RG40 3JL, England  
Tel/Fax: +44 (0) 1189 893341  
www.polymer-optics.co.uk

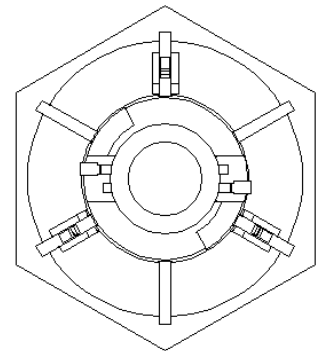
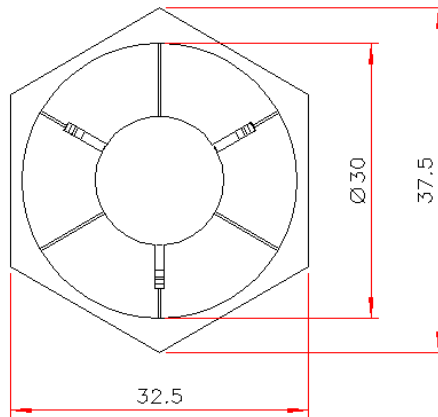
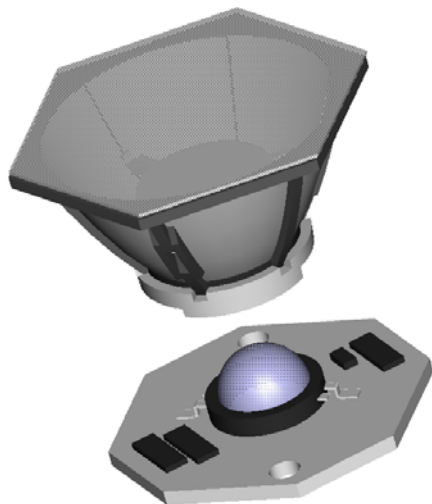
**30mm Reflector Collimator for SSC 4W Acriche/P7 LEDs - Part No. 206**



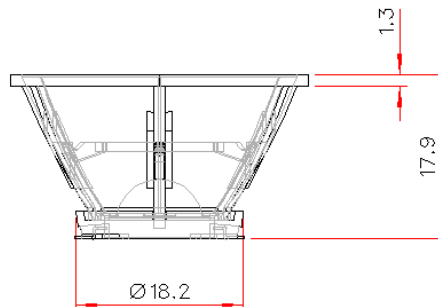
- Designed for 4w Acriche and P7 LEDs
- High light collection efficiency of >85%
- Precision moulded using POL's patent applied for metallised optical insert moulding technique with a polycarbonate frame construction for superior mechanical and thermal stability
- Also available for other SSC LED package types
- Part of the Polymer Optics "Modular LED Optics"® range

Polymer Optics "Modular LED Optics"® design, based on a hexagonal format, allows maximum packing density and assembly flexibility. Arrays of single colour or colour mixed cells can be easily constructed

The 206 Reflector Optic base is designed to push fit over the P7 style LED package to align to the LED source



ORIENTATION OF BASE TO P7 TYPE PACKAGE



Typical dimensional tolerances to +/-0.2mm

Due to continuous product improvement, POL reserve the right to change specifications without notice.

© Copyright Polymer Optics Limited 2008



*Our Focus is in Plastics*

**Polymer Optics Ltd.**

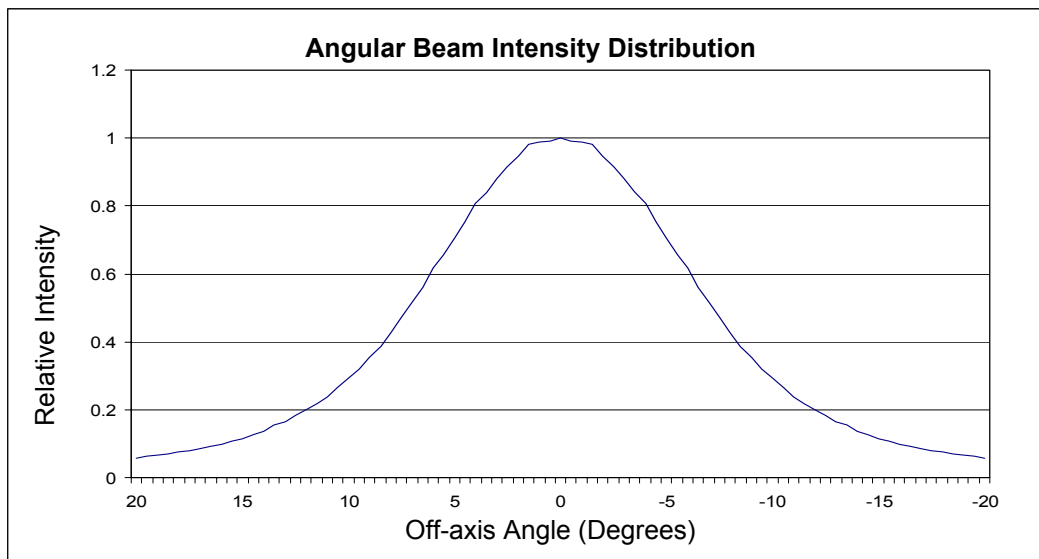
6 Kiln Ride, Wokingham,  
Berks., RG40 3JL, England  
Tel/Fax: +44 (0) 1189 893341  
[www.polymer-optics.co.uk](http://www.polymer-optics.co.uk)

**30mm Reflector Collimator for SSC Acriche/P7 LEDs - Part No. 206**



The POL 206 optic's narrow, high intensity beam is ideal for demanding applications, such as:

- ✓ Mining and caving lamps
- ✓ Under water lamps and torches
- ✓ Architectural spot lights (single colour and RGB arrays)
- ✓ Theatrical lights and follow-spots (single colour and RGB arrays)
- ✓ High performance torches
- ✓ High level flood lights
- ✓ Street lights
- ✓ Medical lighting applications



Typical illuminance values using 570 lumen SSC Z Power P7 LED = 6 cd/lumen			
Range	0.5m	1m	2m
Illuminance	13680 lux	3420 lux	855 lux

Performance values given are typical values and will vary dependant on LED binning, colour and drive profile