



Our Focus is in Plastics

Polymer Optics Ltd.

6 Kiln Ride, Wokingham,
Berks., RG40 3JL, England
Tel/Fax: +44 (0) 1189 893341
www.polymer-optics.co.uk

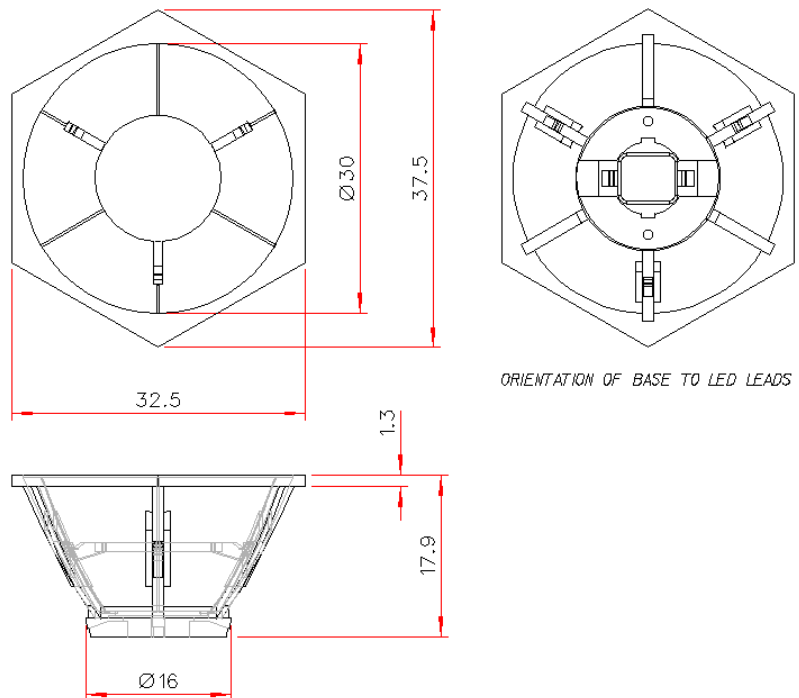
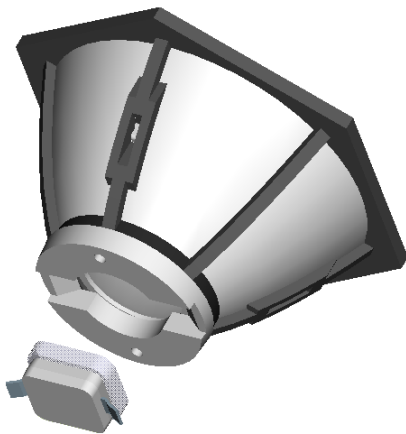
30mm 2.5 Deg Reflector Collimator for Osram Dragon LEDs - Part No. 208



- Designed for Osram Golden Dragon, Golden Dragon Plus, Diamond Dragon and Platinum Dragon LEDs
- High light collection efficiency of >85%
- Precision moulded using POL's patent applied for metallised optical insert moulding technique with a polycarbonate frame construction for superior mechanical and thermal stability
- Also available for other Osram LED package types
- Part of the Polymer Optics "Modular LED Optics"® range

Polymer Optics "Modular LED Optics"® design, based on a hexagonal format, allows maximum packing density and assembly flexibility. Arrays of single colour or colour mixed cells can be easily constructed

The 208 Reflector Optic base is designed to push fit over the standard Osram Dragon LED package to align to the LED source



Typical dimensional tolerances to +/-0.2mm



Our Focus is in Plastics

Polymer Optics Ltd.

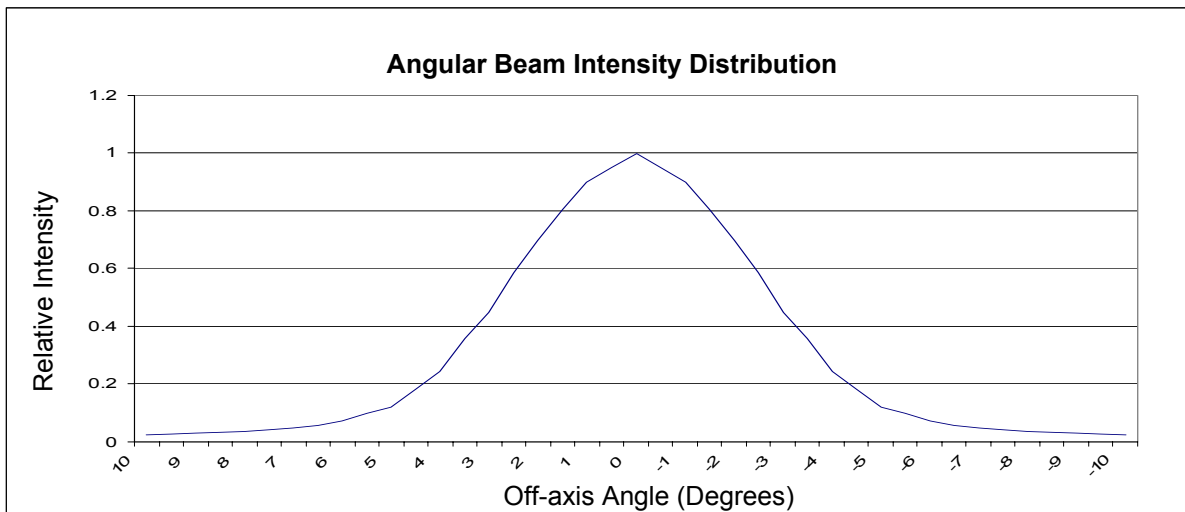
6 Kiln Ride, Wokingham,
Berks., RG40 3JL, England
Tel/Fax: +44 (0) 1189 893341
www.polymer-optics.co.uk

30mm 2.5 Deg Reflector Collimator for Osram Dragon LEDs - Part No. 208



The POL 208 optic's narrow, high intensity beam is ideal for demanding applications, such as:

- ✓ Mining and caving lamps
- ✓ Under water lamps and torches
- ✓ Architectural spot lights (single colour and RGB arrays)
- ✓ Theatrical lights and follow-spots (single colour and RGB arrays)
- ✓ High performance torches
- ✓ High level flood lights
- ✓ Street lights
- ✓ Medical lighting applications



Typical illuminance values using 225 lumen Osram Diamond Dragon LED = 40 cd/lumen			
Range	0.5m	1m	2m
Illuminance	36000 lux	9000 lux	2250 lux

Performance values given are typical values and will vary dependant on LED binning, colour and drive profile