



Polymer  
Optics  
Limited

*Our Focus is in Plastics*

**Polymer Optics Ltd.**

6 Kiln Ride, Wokingham,  
Berks., RG40 3JL, England  
Tel/Fax: +44 (0) 1189 893341  
www.polymer-optics.co.uk

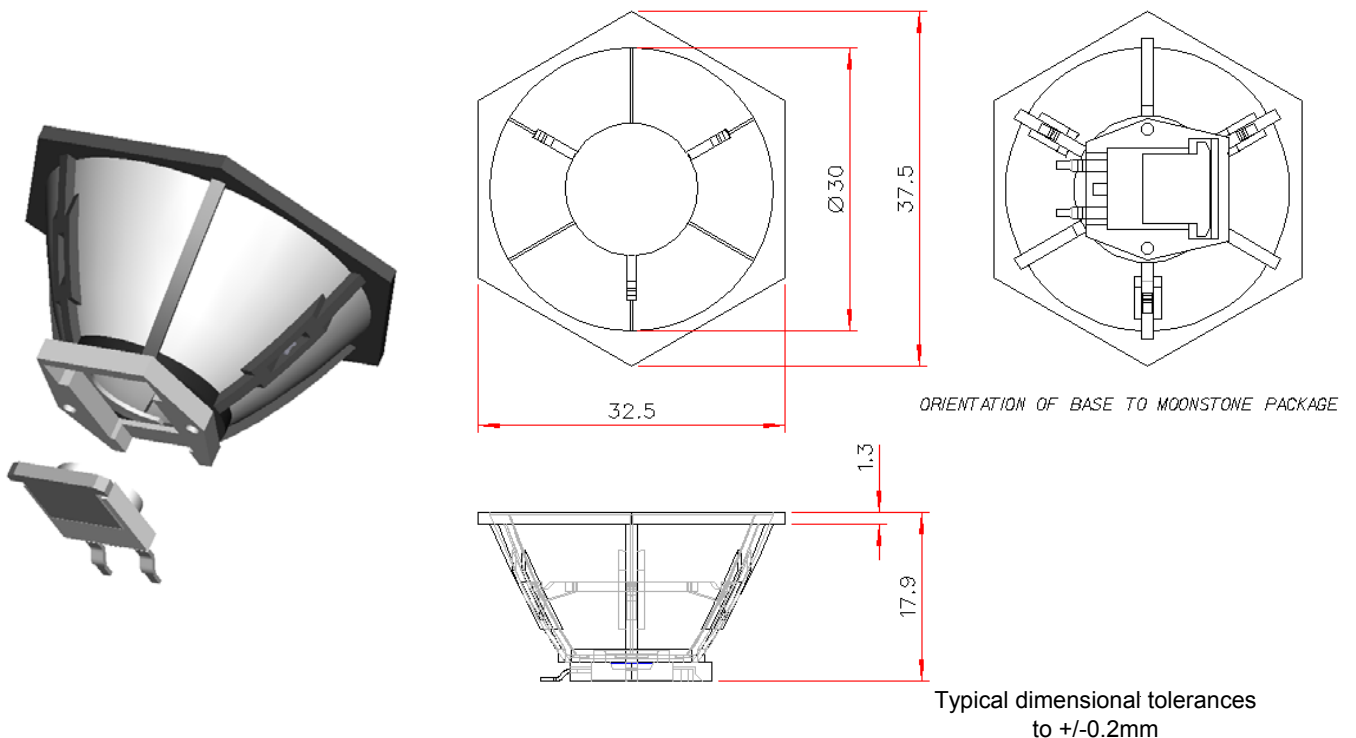
**30mm 2.5 Deg Reflector Collimator for Avago "Moonstone" LEDs - Part No. 209**



- Designed for Avago "Moonstone" LEDs
- High light collection efficiency of >85%
- Precision moulded using POL's patent applied for metallised optical insert moulding technique with a polycarbonate frame construction for superior mechanical and thermal stability
- Also available for other Avago LED types
- Part of the Polymer Optics "Modular LED Optics"® range

Polymer Optics "Modular LED Optics"® design, based on a hexagonal format, allows maximum packing density and assembly flexibility. Arrays of single colour or colour mixed cells can be easily constructed

The 209 Reflector Optic base is designed to push fit over the Avago "Moonstone" LED package to align to the LED source





*Our Focus is in Plastics*

**Polymer Optics Ltd.**

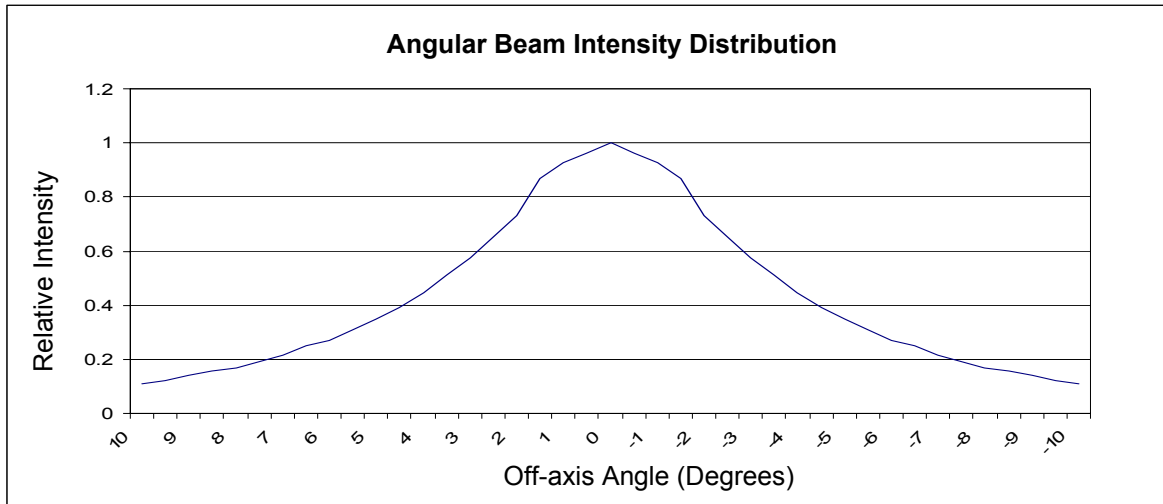
6 Kiln Ride, Wokingham,  
Berks., RG40 3JL, England  
Tel/Fax: +44 (0) 1189 893341  
www.polymer-optics.co.uk

**30mm 2.5 Deg Reflector Collimator for Avago "Moonstone" LEDs - Part No. 209**



The POL 209 optic's narrow, high intensity beam is ideal for demanding applications, such as:

- ✓ Mining and caving lamps
- ✓ Under water lamps and torches
- ✓ Architectural spot lights (single colour and RGB arrays)
- ✓ Theatrical lights and follow-spots (single colour and RGB arrays)
- ✓ High performance torches
- ✓ High level flood lights
- ✓ Street lights
- ✓ Medical lighting applications



<b>Typical illuminance values using 60 lumen Avago Moonstone LED = 20 cd/lumen</b>			
Range	0.5m	1m	2m
Illuminance	4800 lux	1200 lux	300 lux

Performance values given are typical values and will vary dependant on LED binning, colour and drive profile