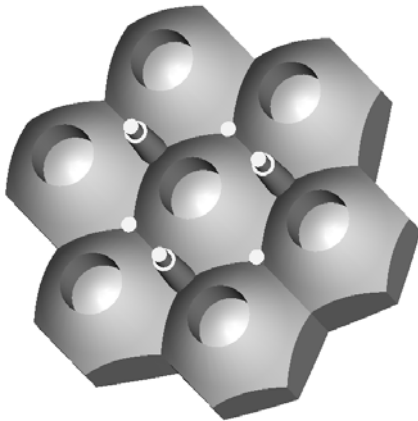


*Our Focus is in Plastics*

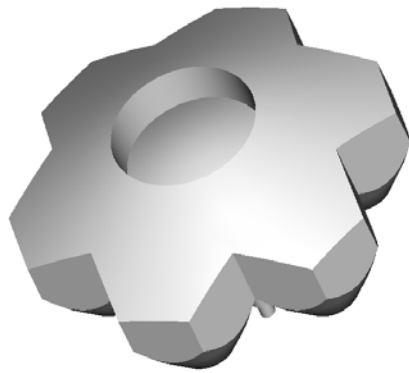
**Polymer Optics Ltd.**

6 Kiln Ride, Wokingham,  
Berks., RG40 3JL, England  
Tel/Fax: +44 (0) 1189 893341  
www.polymer-optics.co.uk

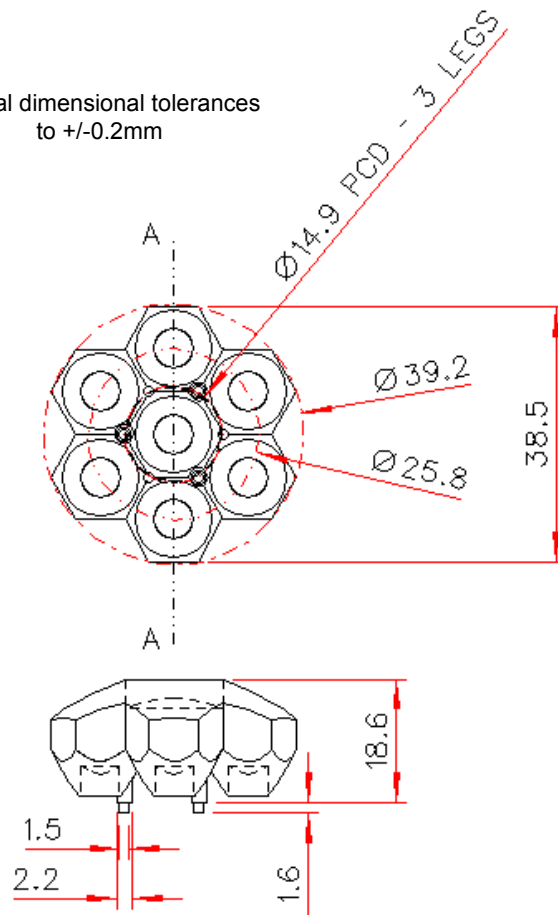
**7 Cell Cluster Concentrator Optic - Part No. 263**



- Designed for the Stanley Electric 3US series LEDs
- High light collection efficiency of >85%
- Precision moulded in optical grade Polycarbonate for thermal stability and system durability
- Part of the Polymer Optics “Modular LED Optics”® range



Typical dimensional tolerances  
to +/-0.2mm



**Polymer Optics “Modular LED Optics”® design, based on a hexagonal format, allows maximum packing density and assembly flexibility**

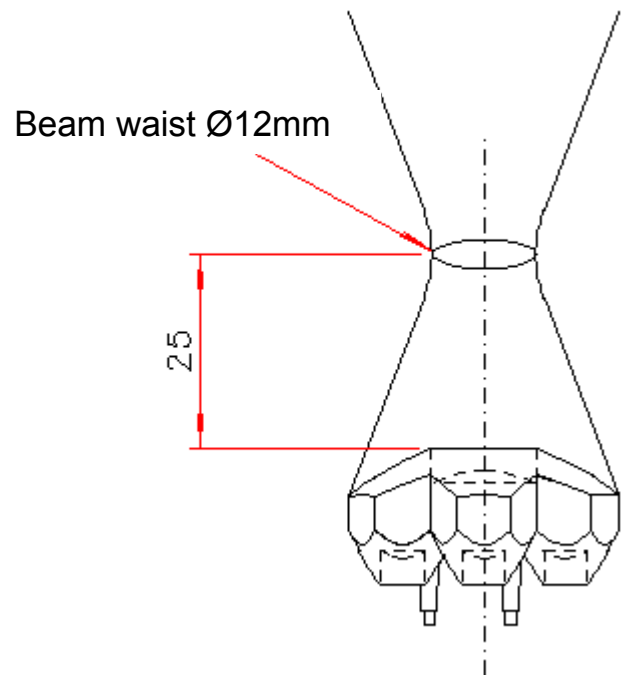


*Our Focus is in Plastics*

**Polymer Optics Ltd.**

6 Kiln Ride, Wokingham,  
Berks., RG40 3JL, England  
Tel/Fax: +44 (0) 1189 893341  
[www.polymer-optics.co.uk](http://www.polymer-optics.co.uk)

### **7 Cell Cluster Concentrator Optic - Part No. 263**



#### **Typical Applications:**

- **Beam insertion into optical fibre bundles**
- **Beam insertion into edge of lightguides**
- **High intensity illumination of small objects for inspection and microscopy**



Performance values given are typical values and will vary dependant on LED binning, colour and drive profile