



Our Focus is in Plastics

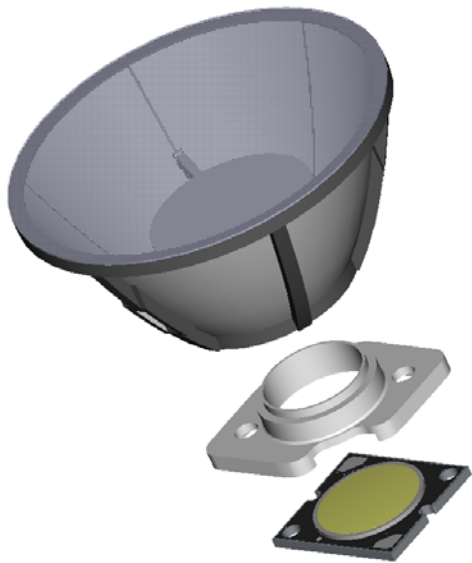
Polymer Optics Ltd.

6 Kiln Ride, Wokingham,
Berks., RG40 3JL, England
Tel/Fax: +44 (0) 1189 893341
www.polymer-optics.co.uk

60mm Reflector Collimator for Bridgelux LEDs - Part No. 276



- Designed for Bridgelux 800, 1200 and 2000 lumen style LEDs
- High light collection efficiency of >85%
- Precision moulded using POL's patent applied for metallised optical insert moulding technique with a polycarbonate frame construction for superior mechanical and thermal stability
- Also available for other Bridgelux LED package types
- Part of the Polymer Optics "Modular LED Optics"® range



The POL 276 optic's narrow, high intensity beam is ideal for demanding applications, such as:

- ✓ General lighting applications
- ✓ Mining and caving lamps
- ✓ Under water lamps and torches
- ✓ Architectural spot lights (singularly or in arrays)
- ✓ Theatrical lights and follow-spots (singularly or in arrays)
- ✓ High level flood lights
- ✓ Street lights
- ✓ Medical lighting applications

The 276 Reflector Optic Base is designed to locate on the Bridgelux 800, 1200, 2000lm type LED packages to align the 60mm Reflector to the LED source.

The 276 Reflector Optic Base is simply screwed down over the LED using the same fixing screws as the Bridgelux LED and observing any recommended tightening torque.

The 60mm Reflector Optic component is then simply push fitted on to the 276 Base component. The 60mm Reflector Optic can be rotated as it is push fitted onto the 276 Base for extra security of fit.

If required, the 60mm Reflector Optic can be removed from the 276 Base by rotating the optic while gently pulling away from the base. The assembly can usually be re-used, but if any damage has occurred to the 276 Base it should be replaced with a new component.



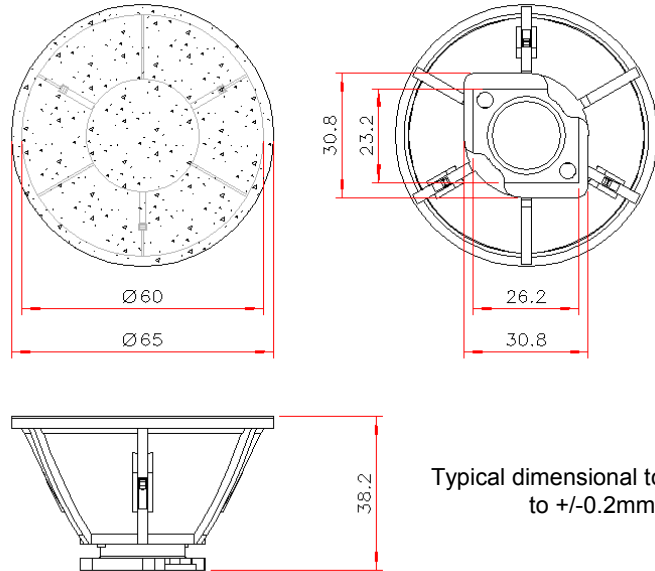
**Polymer
Optics
Limited**

Our Focus is in Plastics

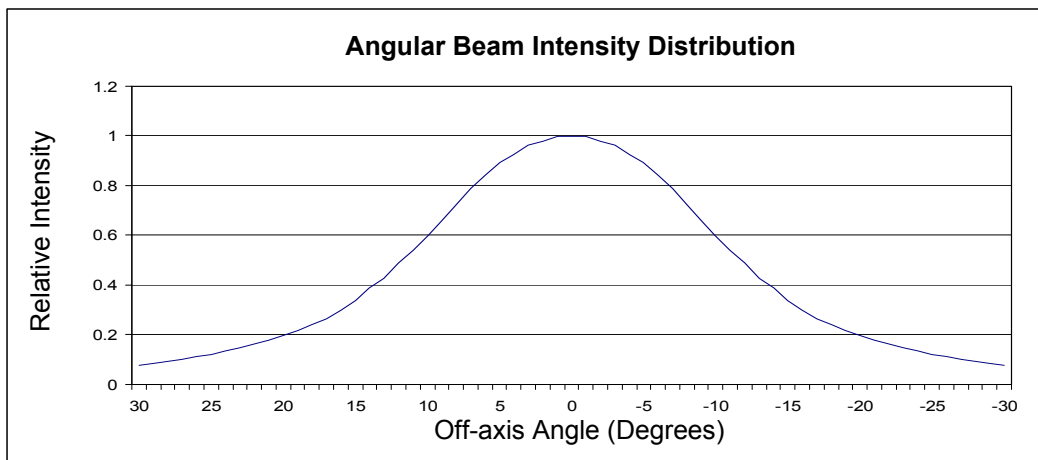
Polymer Optics Ltd.

6 Kiln Ride, Wokingham,
Berks., RG40 3JL, England
Tel/Fax: +44 (0) 1189 893341
www.polymer-optics.co.uk

60mm Reflector Collimator for Bridgelux LEDs - Part No. 276



Typical dimensional tolerances
to +/-0.2mm



Typical illuminance values using 2000 lumen ES LED - 2.1cd/lm			
Range	0.5m	1m	2m
Illuminance	16800 lux	4200 lux	1050 lux

Performance values given are typical values and will vary dependant on LED binning, colour and drive profile