



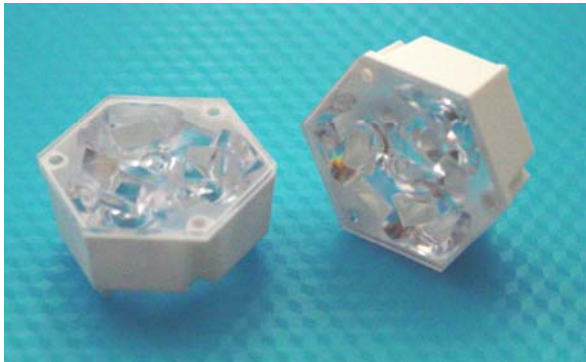
**Polymer
Optics
Limited**

Our Focus is in Plastics

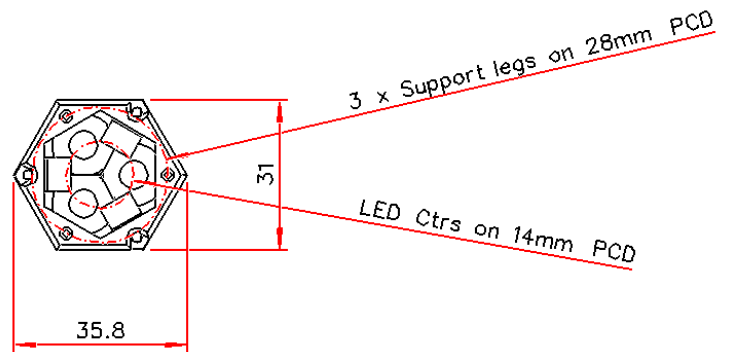
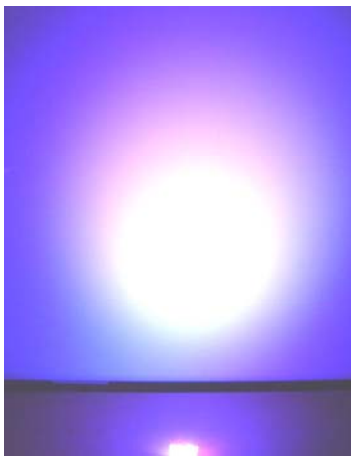
Polymer Optics Ltd.

6 Kiln Ride, Wokingham,
Berks., RG40 3JL, England
Tel/Fax: +44 (0) 1189 893341
www.polymer-optics.co.uk

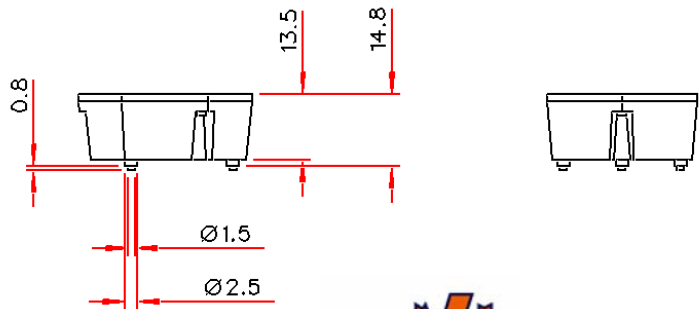
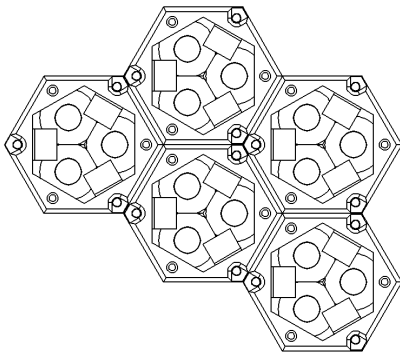
Narrow Angle LED Colour Mixer Assembly - Part No. 158



- Designed for Osram Golden Dragon LED devices
- Can also be used with the latest Dragon Plus and Platinum Dragon LED packages from Osram
- High collection efficiency and narrow angle beam output
- Precision moulded in optical grade Polycarbonate for thermal stability and system durability
- Part of the Polymer Optics “Modular LED Optics”® range



- POL's novel hexagonal design allows the optics to be clustered together to make larger narrow angle colour mixing arrays



Due to continuous product improvement, POL reserve the right to change specifications without notice.

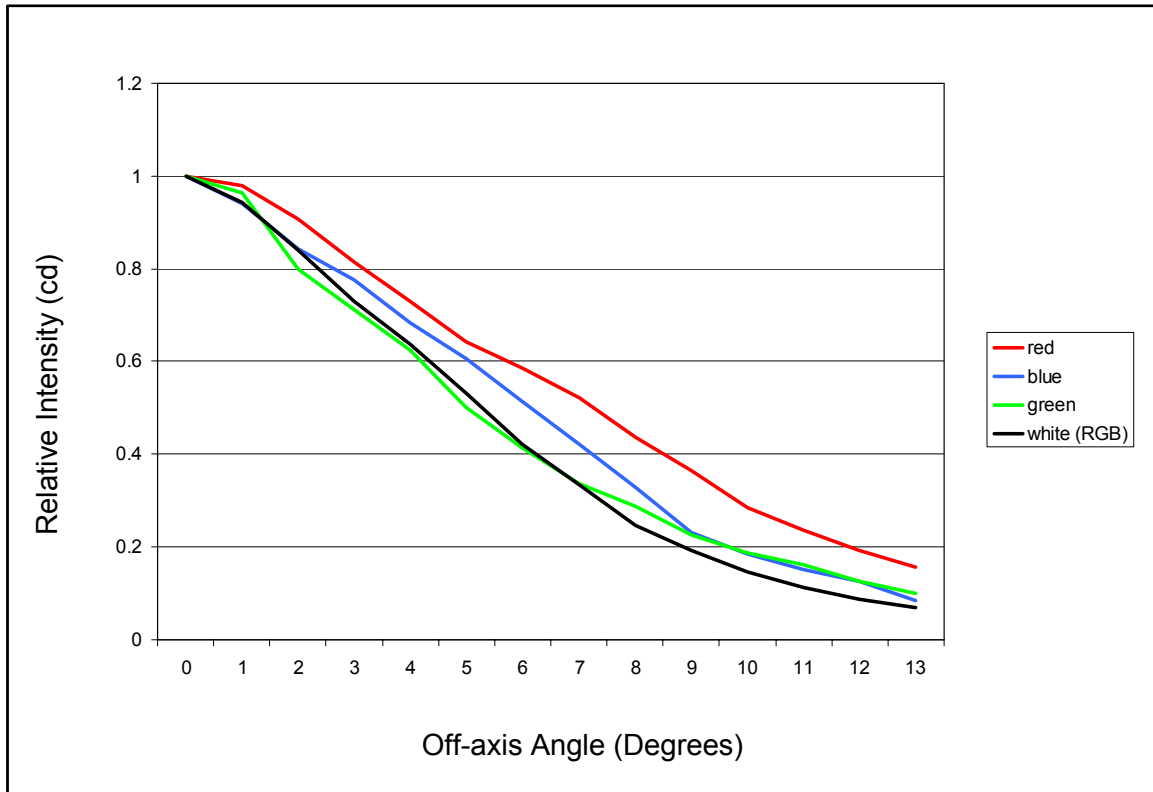


Our Focus is in Plastics

Polymer Optics Ltd.

6 Kiln Ride, Wokingham,
Berks., RG40 3JL, England
Tel/Fax: +44 (0) 1189 893341
www.polymer-optics.co.uk

Narrow Angle LED Colour Mixer Assembly - Part No. 158



Red



Green



Blue



Our Focus is in Plastics

Polymer Optics Ltd.

6 Kiln Ride, Wokingham,
Berks., RG40 3JL, England
Tel/Fax: +44 (0) 1189 893341
www.polymer-optics.co.uk

Narrow Angle LED Colour Mixer Assembly - Part No. 158



Red



Green



Blue



Red/Blue



Green/Blue



Red/Green



Red/Green/Blue

- Excellent colour mixing performance with single colour LED's even over short distances
- Narrow angle basic beam angle which can be converted to wider beam angles or elliptical profiles with POL converter optics and filters
- Can also be used with White LED's to improve bin mixing and reduce colour temperature variations

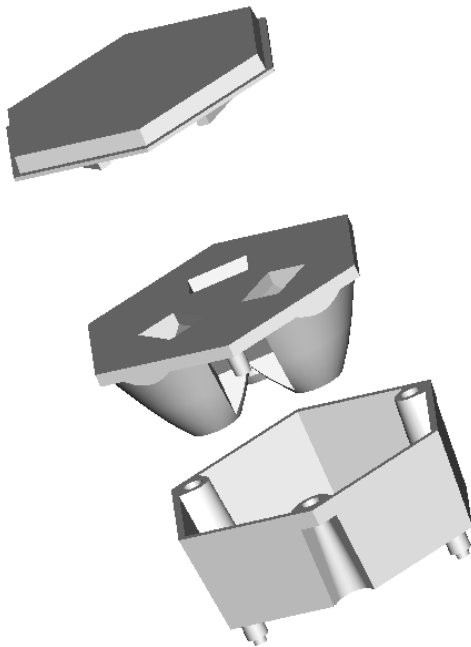


Our Focus is in Plastics

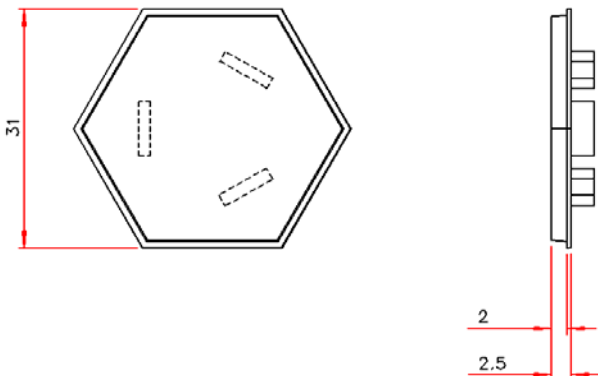
Polymer Optics Ltd.

6 Kiln Ride, Wokingham,
Berks., RG40 3JL, England
Tel/Fax: +44 (0) 1189 893341
www.polymer-optics.co.uk

Converter Optics for Narrow Angle LED Colour Mixer Assembly



- Beam Converter Optics simply interference push fit onto the front of the 158 - Colour Mixer Optic.
- Precision moulded in optical grade PMMA acrylic for improved scratch resistance on the outside of the assembly.
- The Beam Converter Optics fit within the area of the 158- Colour Mixer Optic so the assemblies can still be arranged in close packed arrays.
- Flanged edge of the Beam Converter Optics allows bezels and cover plates to be located to the optical assembly for aesthetic product finishing.
- Part of the Polymer Optics “Modular LED Optics”[®] range



LED  **Light for you**
powered by OSRAM
CERTIFIED PARTNER

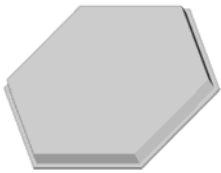


Our Focus is in Plastics

Polymer Optics Ltd.

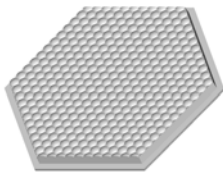
6 Kiln Ride, Wokingham,
Berks., RG40 3JL, England
Tel/Fax: +44 (0) 1189 893341
www.polymer-optics.co.uk

Converter Optics for Narrow Angle LED Colour Mixer Assembly

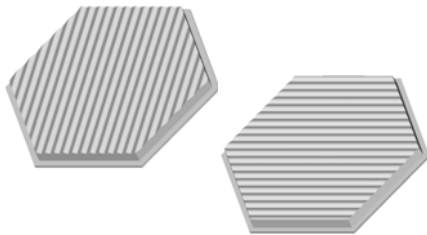


Plain Filter Holder - 160

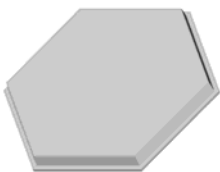
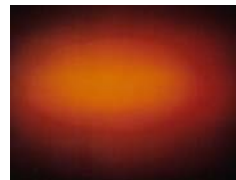
- 160 - Plain Filter Holder can be used with Luminet Light Shaping Diffuser films to produce a wide range of beam profiles, available from POL or direct from www.luminetco.com.
- Other custom beam angles can be produced cost effectively from POL's modular production tooling. Please enquire for details



25 Deg Diffuser - 161



6 x 25 Deg Line Diffusers – 162 & 162B



Soft Beam Diffuser - 163



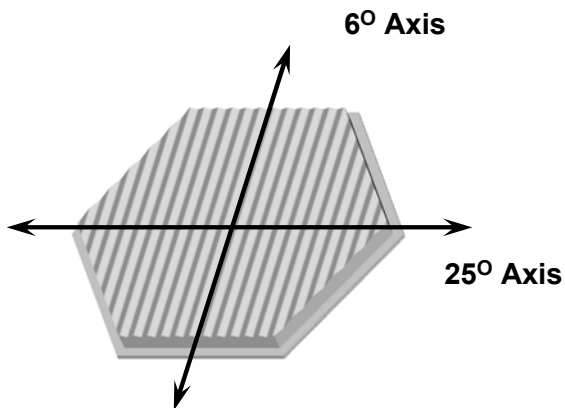


Our Focus is in Plastics

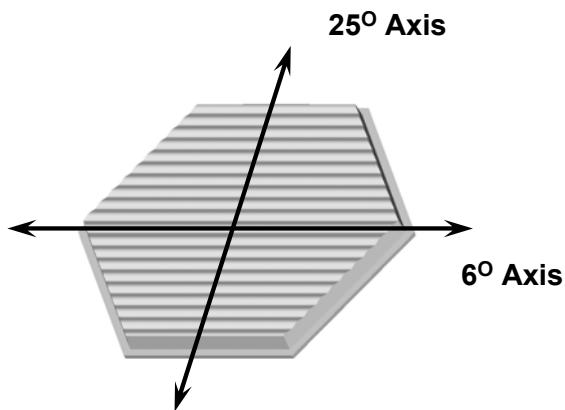
Polymer Optics Ltd.

6 Kiln Ride, Wokingham,
Berks., RG40 3JL, England
Tel/Fax: +44 (0) 1189 893341
www.polymer-optics.co.uk

Converter Optics for Narrow Angle LED Colour Mixer Assembly



6 x 25 Deg Line Diffusers – 162



6 x 25 Deg Line Diffusers – 162B

6 x 25 Deg Line Diffusers is available in two versions, the 162 and the 162B

These diffusers have the same optical function, but allow the beam to be spread in either orthogonal direction.

The 162 version can be used where multiple rows of optics are used and a close packed narrow array is required, along the axis of the linear beam output.

The 162B version can be used where single row linear fittings are required with the optics close packed together with the hexagonal flats placed side by side.

These 6 x 25 Deg Line Diffusers can also be mixed in optical arrays to produce other overall beam effects.



Polymer
Optics
Limited

Our Focus is in Plastics

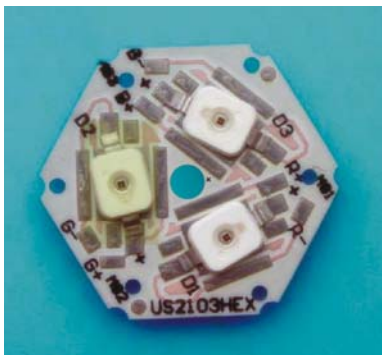
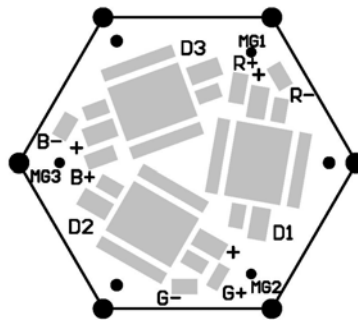
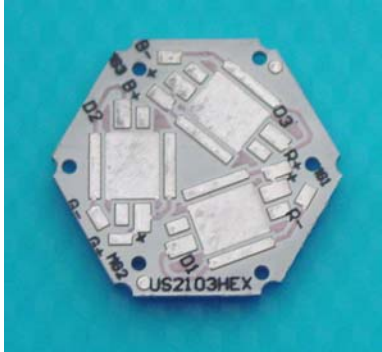
Polymer Optics Ltd.

6 Kiln Ride, Wokingham,
Berks., RG40 3JL, England
Tel/Fax: +44 (0) 1189 893341
www.polymer-optics.co.uk

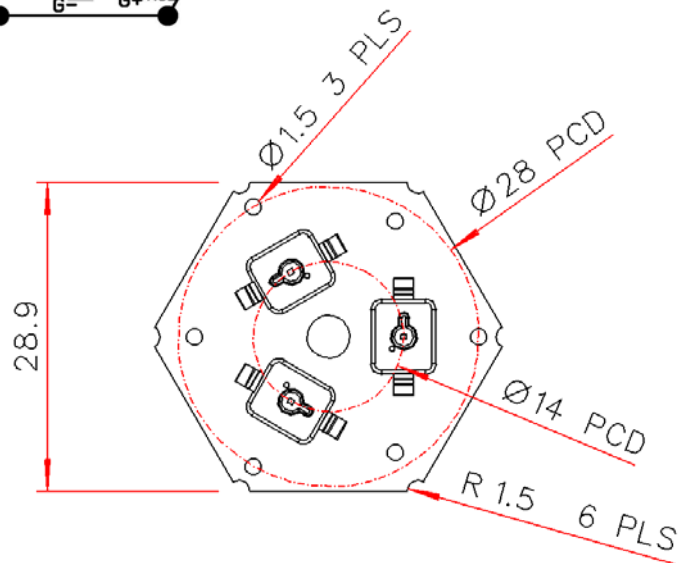
Osram Colour Mixer Universal MCPCB – Part No. 167



- Universal MCPCB can be provided by POL to support customer prototyping and luminaire production using Osram Golden Dragon LED devices
- Manufactured by Universal Science using Unilam substrates.
- 167 - MCPCB's can be supplied with Universal Science Bondline200 self-adhesive thermal gasket tape, die cut to the dimensions of the 167 - MCPCB.
- 158 - Colour Mixer Optics assembled onto the 167 - MCPCB's can be clustered into large arrays and linear formats.
- Part of the Polymer Optics "Modular LED Optics"® range



Osram Golden Dragon devices



Due to continuous product improvement, POL reserve the right to change specifications without notice.



Our Focus is in Plastics

Polymer Optics Ltd.

6 Kiln Ride, Wokingham,
Berks., RG40 3JL, England
Tel/Fax: +44 (0) 1189 893341
www.polymer-optics.co.uk

Price List for Osram Narrow Angle LED Colour Mixer Range

Product Image	Description	Usage	1-100 Batches	100-1K Batches	1K-5K Batches	5K-10K Batches	10K+ Batches
158	6° Colour Mixer Collimator Assembly	Golden Dragon	*	£3.80	£3.60	£3.20	£3.00
167	Hexagonal MCPCB for 158 Optic	Golden Dragon	£10.00	£2.00	£1.55	£1.35	£1.25
160	Filter Holder	Fits to 158 Optic	*	£0.32	£0.30	£0.27	£0.25
161	25° Beam Converter Optic	Fits to 158 Optic	*	£0.32	£0.30	£0.27	£0.25
162	6°x25° Beam Converter Optic	Fits to 158 Optic	*	£0.32	£0.30	£0.27	£0.25
162B	6°x25° Beam Converter Optic	Fits to 158 Optic	*	£0.32	£0.30	£0.27	£0.25

* A minimum order value applies of £50+shipping - All prices “ex-works”

Please contact POL for quotations on higher volumes and custom variants

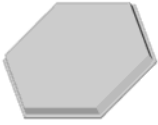


Our Focus is in Plastics

Polymer Optics Ltd.

6 Kiln Ride, Wokingham,
Berks., RG40 3JL, England
Tel/Fax: +44 (0) 1189 893341
www.polymer-optics.co.uk

Price List for Osram Narrow Angle LED Colour Mixer Range

Product Image	Description	Usage	1-100 Batches	100-1K Batches	1K-5K Batches	5K-10K Batches	10K+ Batches
 163	Beam Diffuser Filter	Fits to 158 Optic	*	£0.32	£0.30	£0.27	£0.25

*** A minimum order value applies of £50+shipping - All prices “ex-works”**

Please contact POL for quotations on higher volumes and custom variants