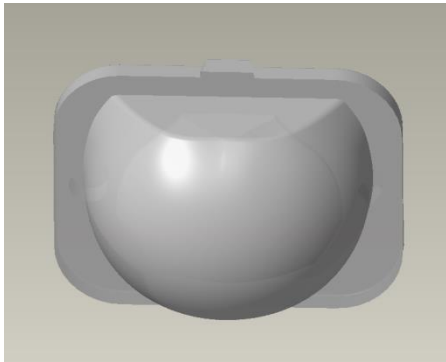
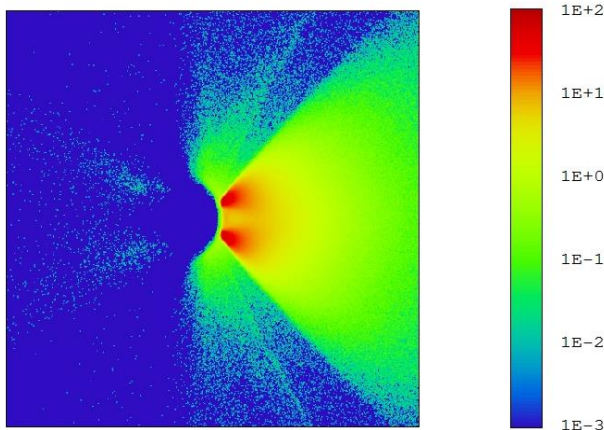


Low Level Illumination Optic - Part No. 808



- Designed for High Power Lambertian LED sources like Luxeon TX, Luxeon Rebel, Cree XP-G2 & Cree XP-L
- High light collection efficiency of >82%
- Moulded in V2 flammability grade Polycarbonate for thermal stability and system durability
- Part of the Polymer Optics “Free-Form LED Optics”[®] range
- Suitable for low level Bollard’s and walk way lighting
- 90 deg beam output from a single optic

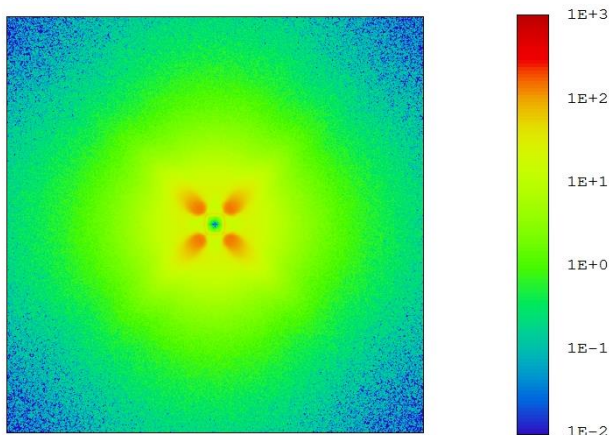
False Colour Map of Illuminance Profile



Illumination range optimised for 5x mounting height.

Can be used for in both square and asymmetrical illumination patterns.

Logarithmic False Colour Intensity Plot

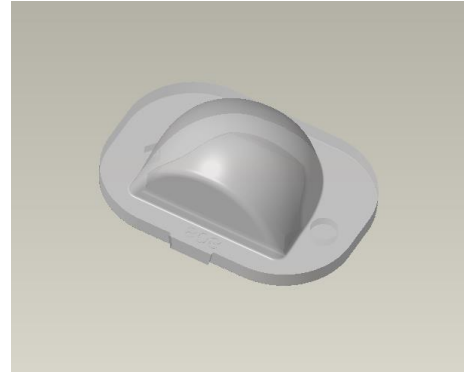


4 optics can be spaced at 90° intervals to give a complete 360° coverage.

Performance values given are typical values and will vary dependent on LED type, binning, colour and drive profile.

Due to continuous product improvement, POL reserve the right to change specifications without notice.

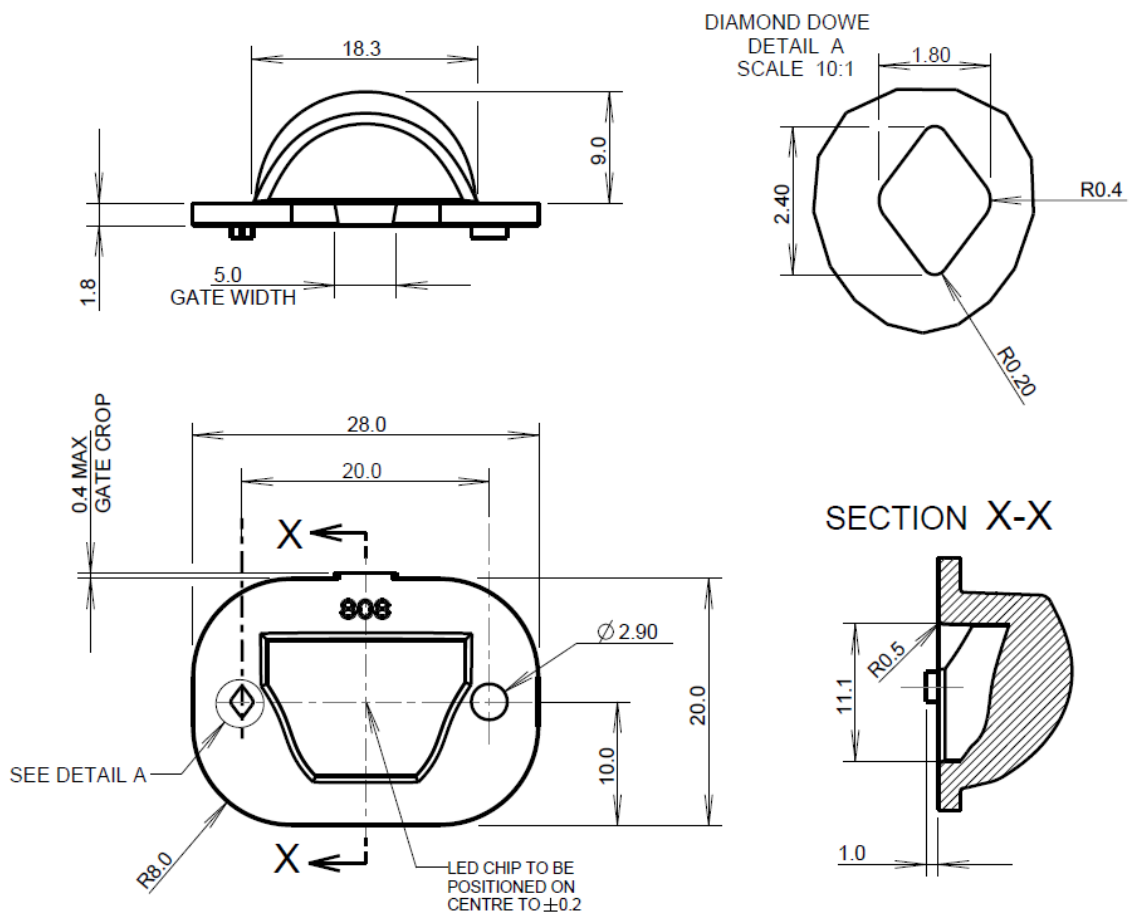
Low Level Illumination Optic - Part No. 808



Typical dimensional tolerances to +/-0.2mm

© 2018 POLYMER OPTICS LTD

MATERIAL: V-2 FLAMMABILITY GRADE POLYCARBONATE



Performance values given are typical values and will vary dependent on LED type, binning, colour and drive profile.

Due to continuous product improvement, POL reserve the right to change specifications without notice.