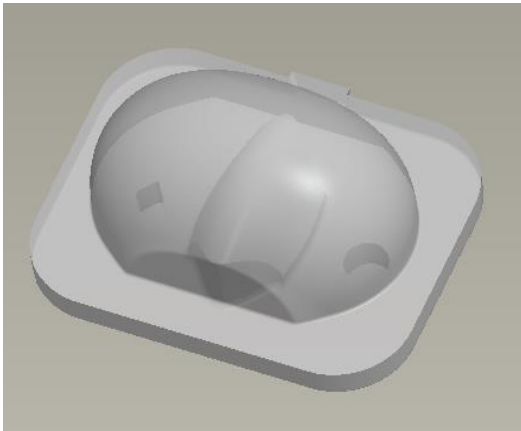
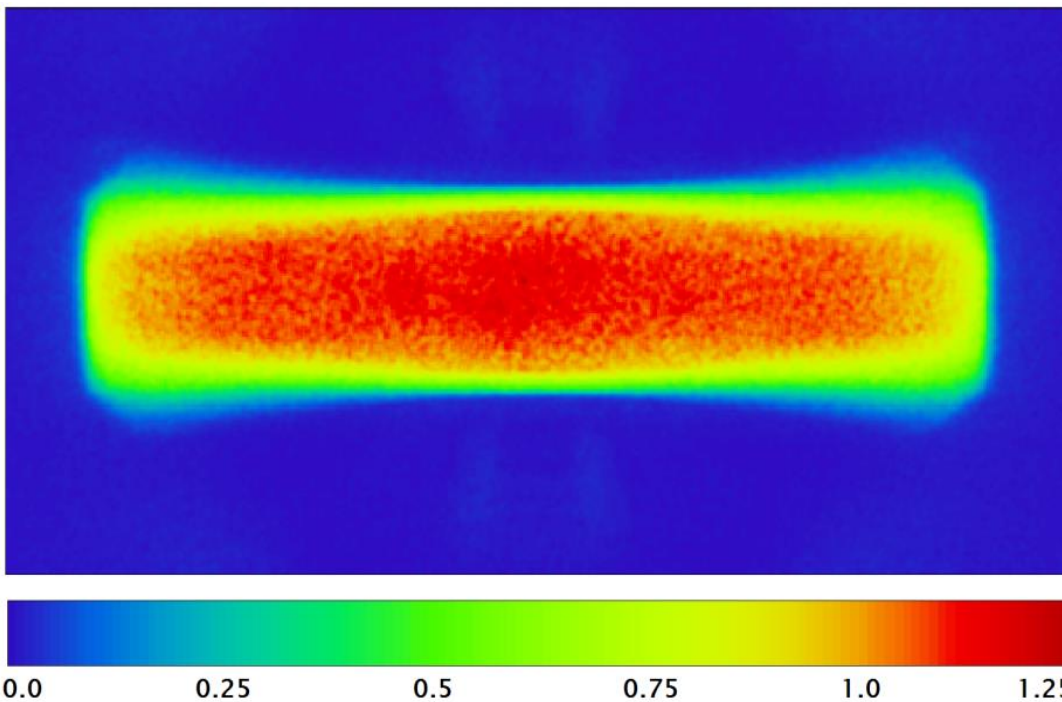


0.8x4 Rectangular Beam Optic - Part No. 290



- Designed for High Power Lambertian LED sources.
- High light collection efficiency of >82%
- Moulded in V2 flammability grade Polycarbonate for thermal stability and system durability.
- Part of the Polymer Optics “Free-Form LED Optics”® range.
- Suitable for escape route & emergency lighting of corridors and other large areas.

Designed to give even illuminance this 4x0.8 optic will produce a rectangular beam which illuminates an area 4x the mounting height in length and 0.8x the mounting height in width.



**False Colour
Map of
Illuminance
Profile**

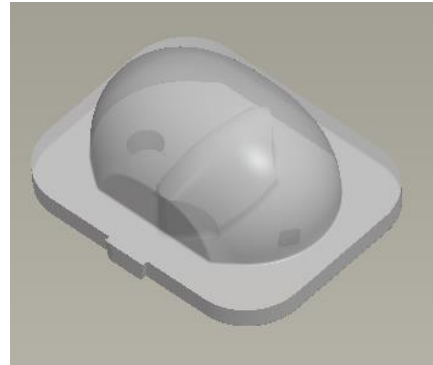
Average illuminance mounted at a height of 2.5m with a 25 lumen 1mm die size Lambertian LED = 1 Lux

In order to determine if the particular beam properties and performance of this optic are suitable for your application with your chosen LED type, POL suggests that you obtain samples from POL or their distributors for your own product testing, as properties may vary with different LED types.

Performance values given are typical values and will vary dependent on LED type, binning, colour and drive profile.

Due to continuous product improvement, POL reserve the right to change specifications without notice.

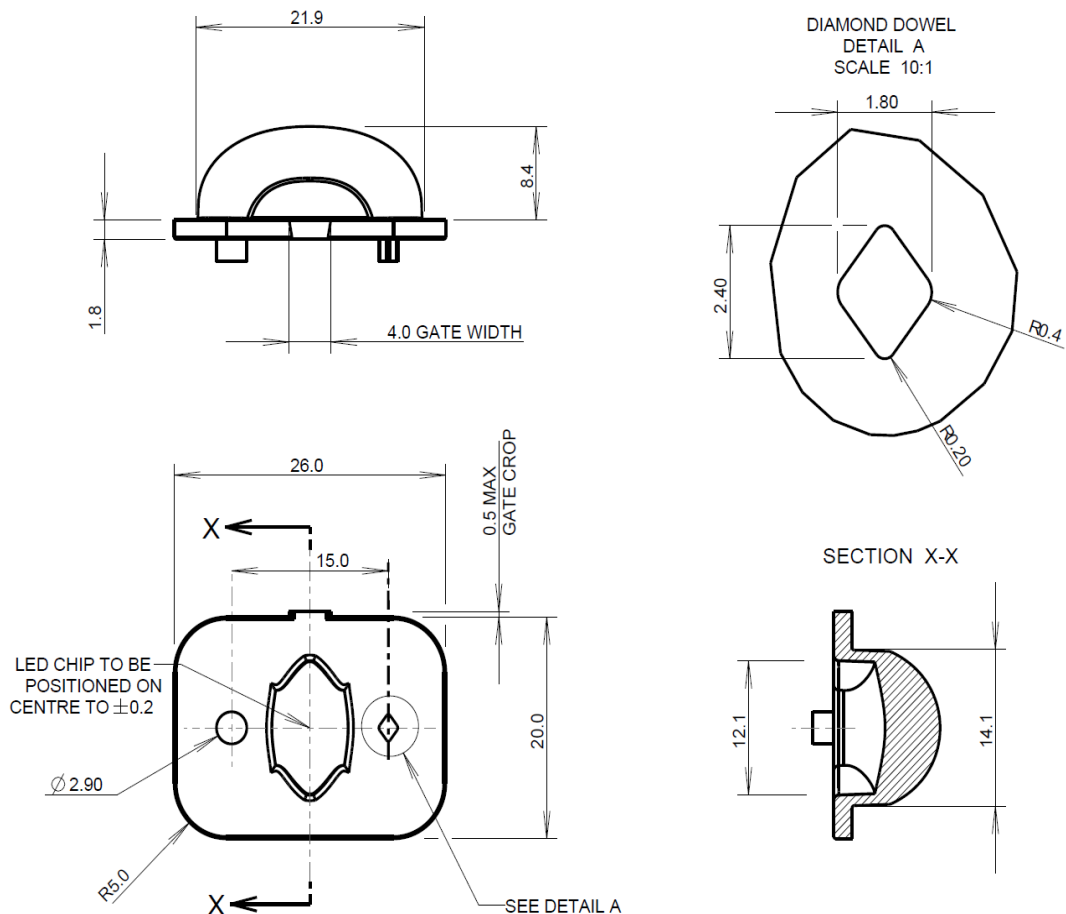
0.8x4 Rectangular Beam Optic - Part No. 290



Typical dimensional tolerances to +/-0.2mm

© 2010 POLYMER OPTICS LTD

MATERIAL: POLYCARBONATE



Performance values given are typical values and will vary dependant on LED type, binning, colour and drive profile.

Due to continuous product improvement, POL reserve the right to change specifications without notice.