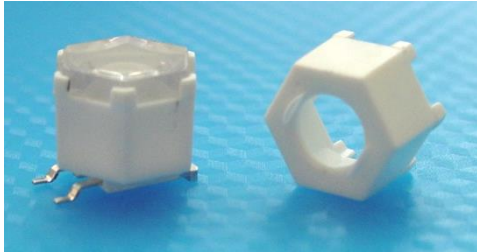
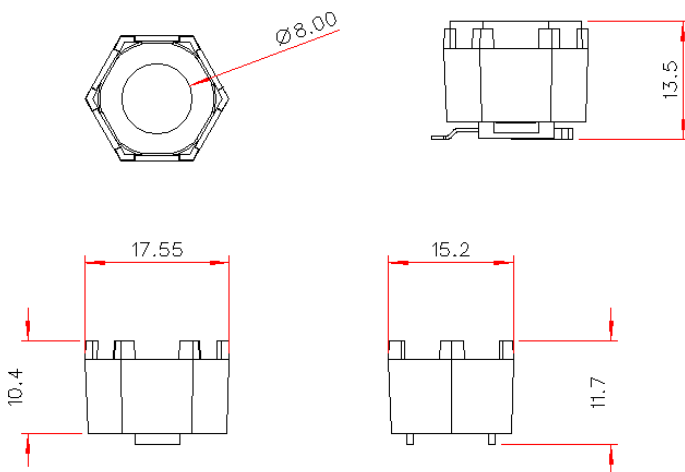


Lens Holder - Part No. 182



- Designed to suit the Avago Moonstone LED package
 - Simply mounts onto LED package and self-aligns to the LED source
 - Precision moulded in high quality Polycarbonate for thermal stability and system durability
 - Part of the Polymer Optics “Modular LED Optics”® range
 - Polymer Optics “Modular LED Optics”® design, based on a hexagonal format, allows maximum packing density and assembly flexibility
-
- POL optics are supplied pre-assembled into the appropriate holder to suit your chosen LED package and are ordered by part number xxx/182, where xxx is the required optic part number.
 - Please see POL’s on-line product catalogue to determine the correct holder and optic combination for your particular LED type



Typical dimensional tolerances to
+/-0.2mm

The POL optics assembly can be attached to the PCB with a range of adhesives including epoxies, silicone based flexible adhesives, special super-glues, etc. The final choice of the adhesive will depend on the product application working environment. However, for most applications, POL recommends using Loctite 460 which is a cyano-acrylate “super glue” type adhesive, but a specially formulated low odour, low bloom adhesive for clear plastics. This adhesive will not produce the white cloudiness which occurs with other “super-glue” types and forms a strong bond in seconds between the optics holder and the PCB. Further information on this, and other adhesives, can be found at www.loctite.co.uk

Due to continuous product improvement, POL reserve the right to change specifications without notice.

© Copyright Polymer Optics Limited 2016