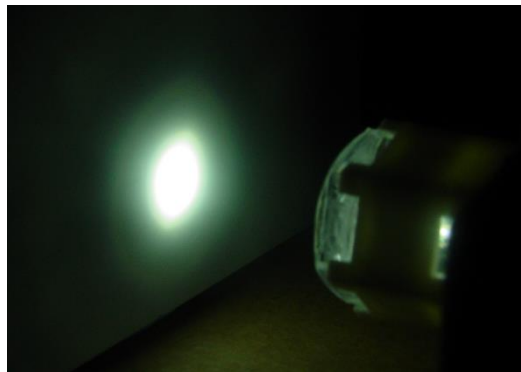


Single Cell LED Concentrator Lens - Part No. 141



- Designed for High Power Lambertian LED sources
 - High light collection efficiency of >85%
 - Precision moulded in optical grade Polycarbonate for thermal stability and system durability
 - Part of the Polymer Optics “Modular LED Optics”® range
 - Polymer Optics “Modular LED Optics”® design, based on a hexagonal format, allows maximum packing density and assembly flexibility
-
- POL optics are supplied pre-assembled into the appropriate holder to suit your chosen LED package and are ordered by part number 141/xxx, where xxx is the required holder part number.



Typical Applications:

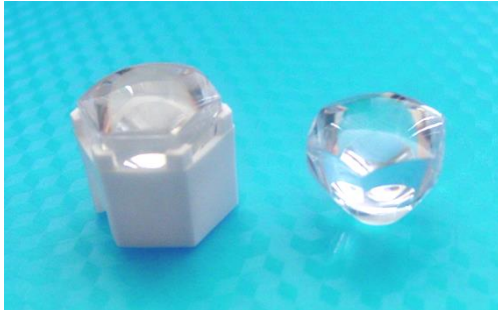
- Beam insertion into optical fibre bundles
- Beam insertion into edge of lightguides
- High intensity illumination of small objects for inspection and microscopy
- In order to determine if the particular beam properties and performance of this optic are suitable for your application with your chosen LED type, POL suggests that you obtain samples from POL or their distributors for your own product testing, as properties may vary with different LED types.

Performance values given are typical values and will vary dependent on LED type, binning, colour and drive profile.

Due to continuous product improvement, POL reserve the right to change specifications without notice.

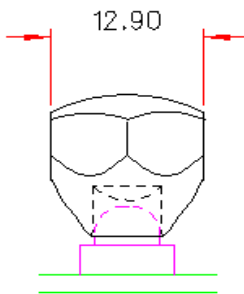
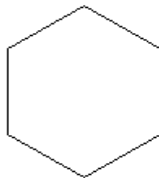
© Copyright Polymer Optics Limited 2016

Single Cell LED Concentrator Lens - Part No. 141

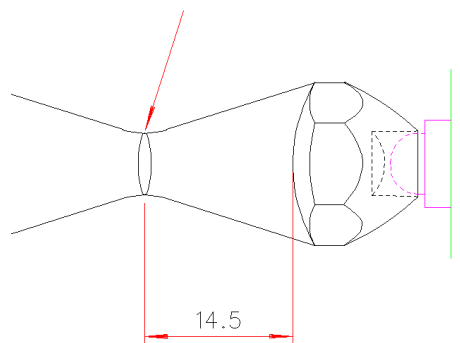


- The details of the holder design will vary for each LED type to provide the correct location to the LED package and mounting height

Typical dimensional tolerances to
+/-0.2mm

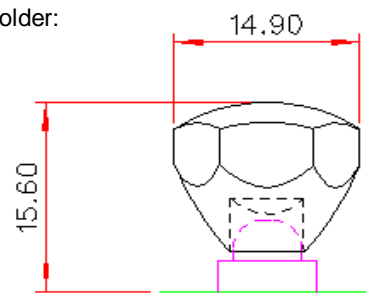


BEAM WASTE Ø6mm



Mounting Heights in Holder:

- 121 - 15.7mm
- 127 - 14.3mm
- 128 - 14.3mm
- 147 - 14.3mm
- 151 - 14.7mm
- 155 - 14.7mm
- 175 - 13.4mm
- 180 - 13.4mm
- 182 - 13.4mm
- 223 - 13.4mm
- 239 - 15.7mm



Performance values given are typical values and will vary dependent on LED type, binning, colour and drive profile.

Due to continuous product improvement, POL reserve the right to change specifications without notice.