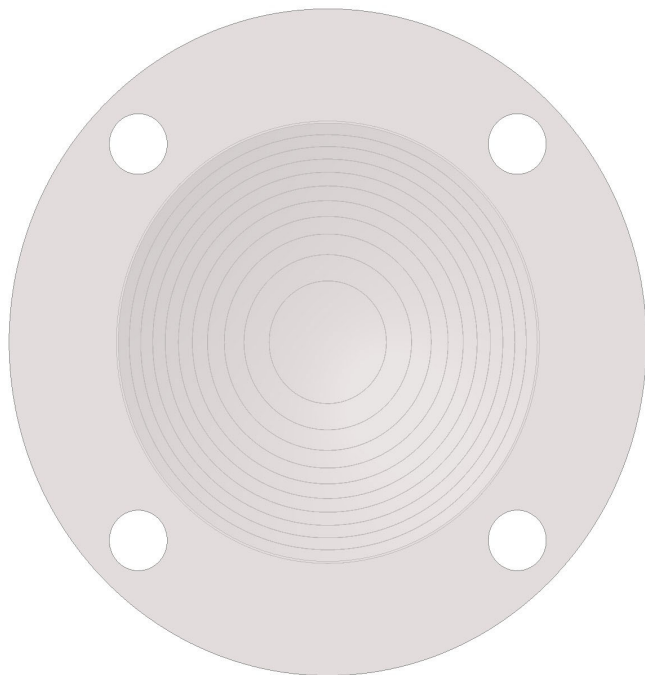


POL Part No.995

Single element IR Thermopile lens

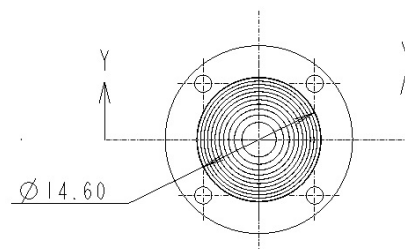
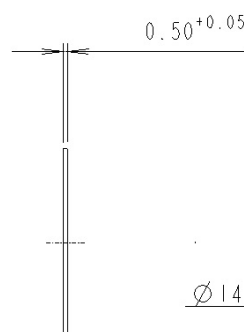
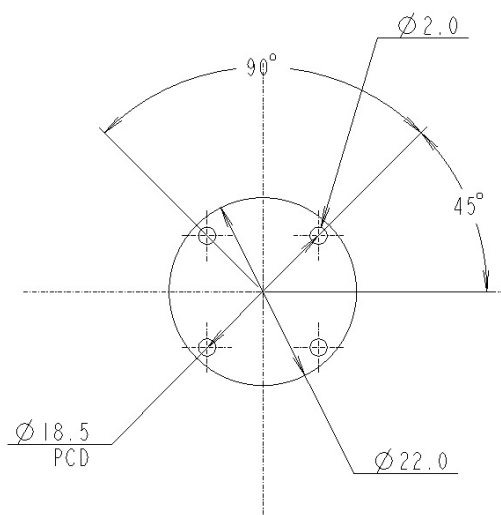
The single element lens is designed for use with a thermopile sensor. The lens has an active area of 14.6mm diameter and is surrounded by a 22mm diameter flange. The flange has 2mm diameter mounting holes. The focal distance is 15mm.

The lens is typically used for temperature measurement but it can also be used for passive infrared sensing in security and lighting applications.



Applications

- Temperature measurement
- PIR detection
- Fan or door activation



Focal distance 15mm from inside centre vertex of Fresnel to apparent element position of thermopile. Fresnel grooves face towards thermopile