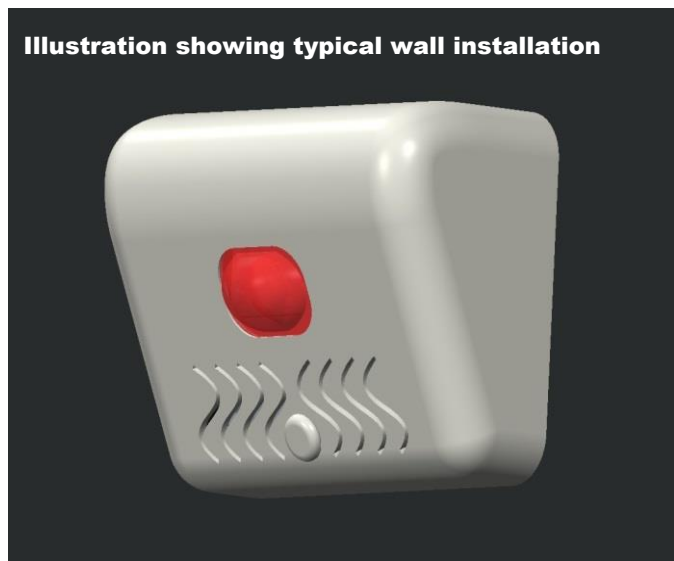


Part No. 443
Long Range EN54-23 Wall Optic Red

Designed for long range coverage meeting EN54 Part 23 requirements for a wall mounted signal optic positioned at a height of 2.4m. This optic can be used to efficiently illuminate areas up to 8m square. Larger areas can be illuminated with reduced efficiency.

A typical installation of the optic in an enclosure is shown below:

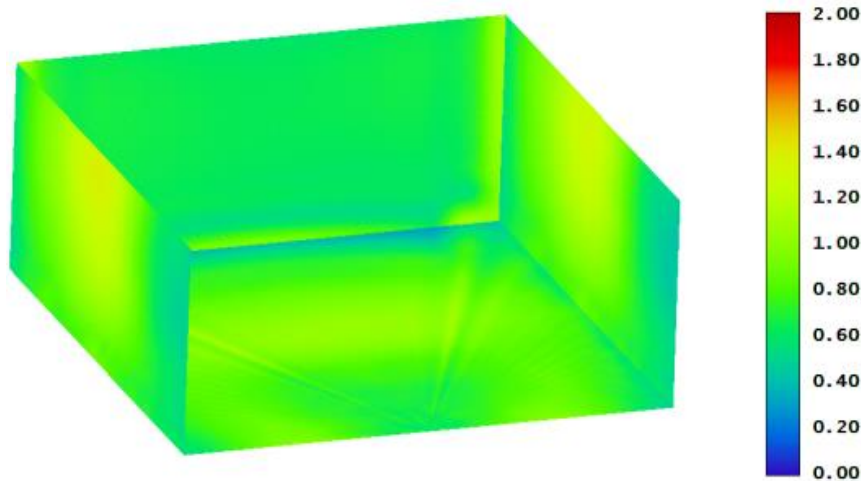


- Designed for Warm White 2700K versions of the Cree XM-L2 and Luxeon TX LEDs.
- Rating vs effective LED output required:
 - W-2.4-5 90 lumens
 - W-2.4-6 110 lumens
 - W-2.4-7 150 lumens
 - W-2.4-8 195 lumens
- Light transmission efficiency of 47%
- Precision moulded in optical grade Polycarbonate meeting the V-2 flammability requirement of EN54-23.

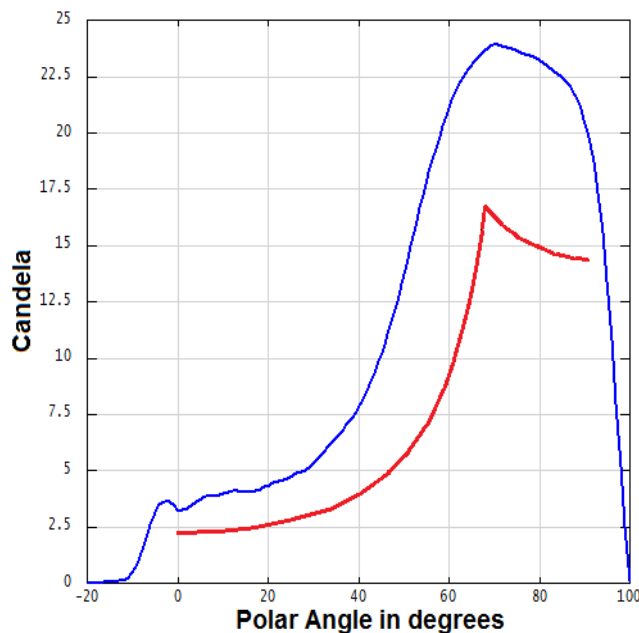
Part No. 443

Long Range EN54-23 Wall Optic Red

The plot below shows the variation in flux level at the boundary of a 2.4m high, 6m square area as specified by EN54-23 when illuminated using a Warm White 2700K Cree XP-L2 LED emitting 110 effective lumens. (Note: EN54-23 specifies that the flux values are to be measured on a surface facing the source at the boundary.)

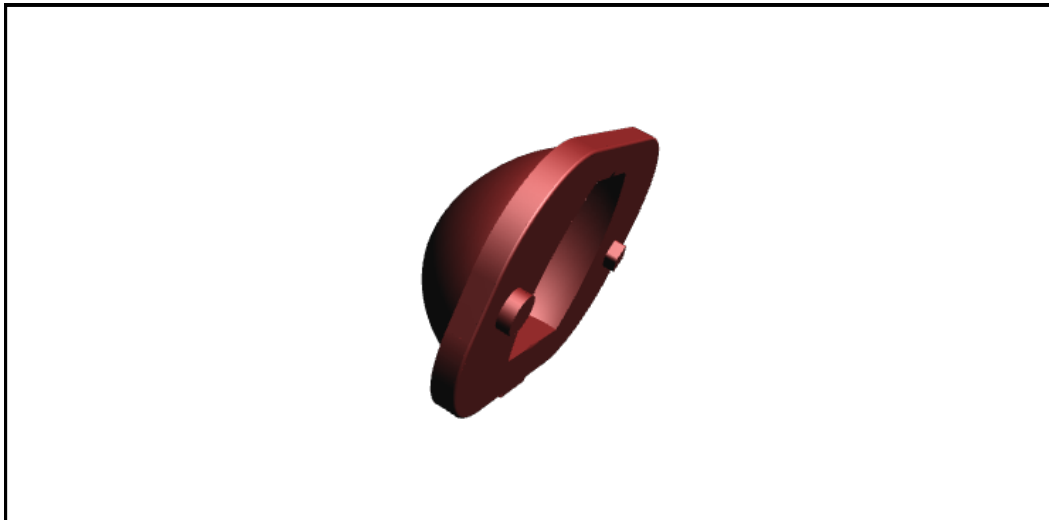


The graph below shows the optic output, (shown in blue) compared with the minimum 0.4 Lux level for W-2.4-6 compliance converted to candela values, (shown in red) from a Warm White 2700K Cree XP-L2 LED emitting 110 effective lumens. (Note: To determine the peak lumens required to generate 110 effective lumens refer to Appendix A of EN54-23.)



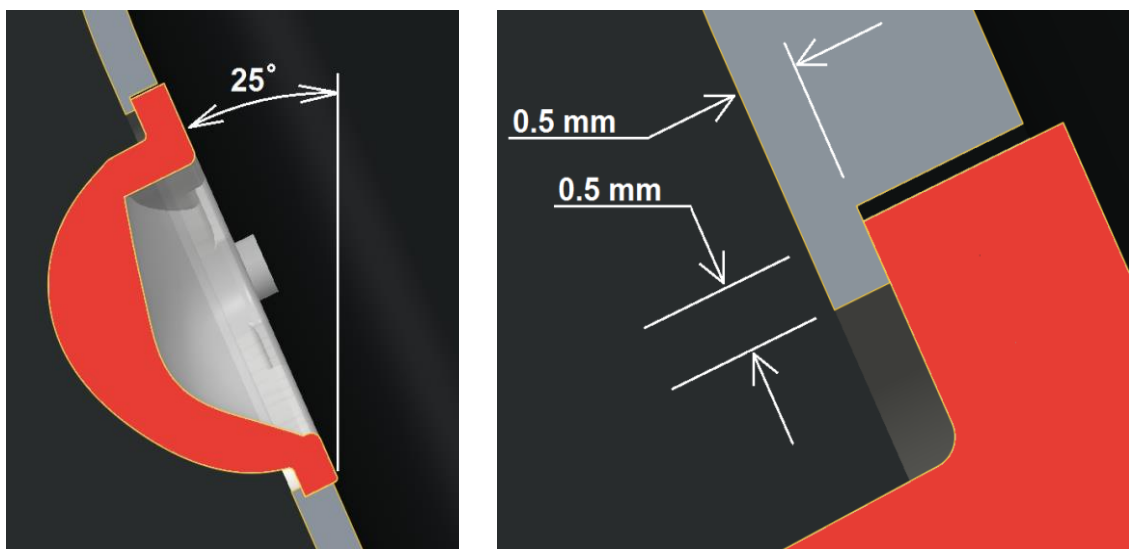
Part No. 443
Long Range EN54-23 Wall Optic Red

The picture below is a 3D interactive model of the part. Click to activate.



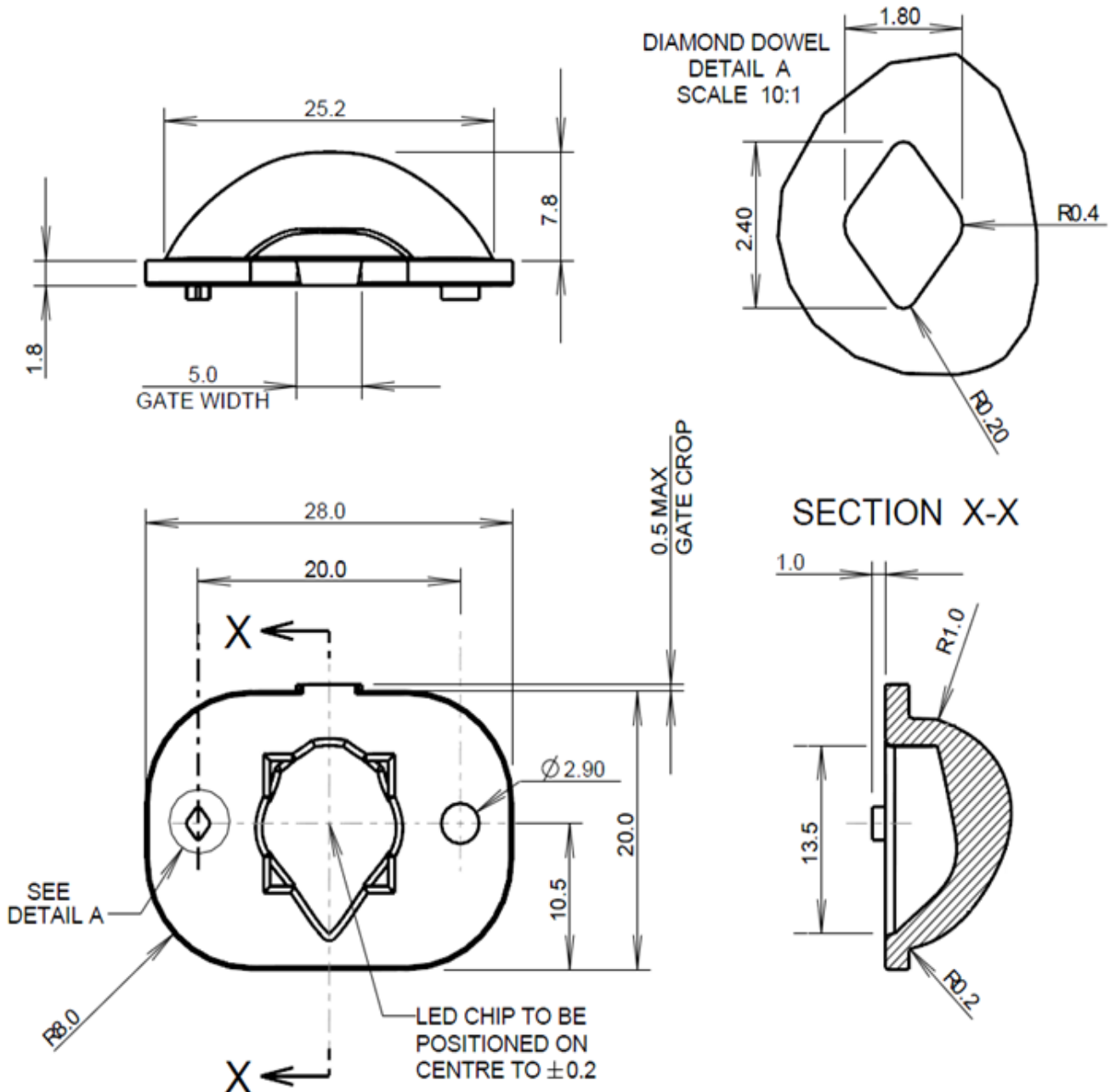
The optic is located on the PCB using a diamond dowel inserted in to a 2.5mm diameter hole and a peg in to a 3mm diameter hole. The distance between the two hole centres required is 20mm. (See dimensional drawing overleaf).

The optic is designed to be mounted at an angle of 25° to the vertical with the gate vestige facing upwards. The maximum size of the lip of a retaining cover placed over the optic is shown below:



Part No. 443
Long Range EN54-23 Wall Optic Red

Typical dimensional tolerances to
+/-0.2mm



In order to determine if the particular beam properties and performance of this optic are suitable for your application POL suggests that you obtain samples from POL or their distributors for your own product testing.

Due to continuous product improvement, POL reserve the right to change specifications without notice.